



# Installation Instructions for **Peaks and Parks Decking**



### Table of Contents

<b>Safety Information.....</b>	<b>2</b>	<b>EDGE &amp; EDGEX Fastener Installation and Board Replacement</b>	<b>7 - 9</b>
<b>Warranty.....</b>	<b>2</b>	<b>Universal Fastener Installation and Board Replacement</b>	<b>.... 10 - 11</b>
<b>Pre-Installation.....</b>	<b>3 - 5</b>	<b>Face Fastener Installation and Board Replacement.....</b>	<b>12-14</b>
<b>STARTER Fastener Installation for Starting and End Boards</b>	<b>.6</b>	<b>Fascia Installation</b>	<b>.....15</b>


### Safety Information


Read and understand this entire manual before you begin the installation of your decking.

#### Static Electricity Notice

Dry or windy environments may create a temporary condition of static electricity in many plastic-based products such as carpeting, upholstery, and composite and PVC decking, which will vary depending on climate and site conditions. Static electricity is a naturally occurring phenomenon and is not a defect. In the case of excessive static buildup on an installed deck, Ecodek recommends the following:

1. Remove loose debris from the deck surface.
2. Dilute ACL Staticide® Concentrate as directed on the bottle. Dowsing with water will remove the charge but will not guard against static build up over time on its own.
3. Spray or mop the entire surface of the deck. Allow to air dry. Do not attempt to wipe the surface dry as wiping will reduce the effectiveness of the anti-static coating.

 **CAUTION:** Although very safe in diluted form, ACL Staticide Concentrate is considered a hazardous chemical non-diluted. DO NOT use ACL Staticide Concentrate non-diluted.

 **WARNING:** Use extreme caution when using power tools.

### Warranty

Decking Warranties*	Peaks	Parks
Limited Performance Residential Warranty	40 Year	30 Year
Limited Stain & Fade Residential Warranty	40 Year	30 Year
Limited Performance Commercial Warranty	10 Year	10 Year
Limited Stain & Fade Commercial Warranty	10 Year	10 Year

\*Warranties listed here are for decking applications only.

For more information, visit [ecodek.co.uk](http://ecodek.co.uk).



**NOTE:** Ecodek recommends the use of a quality joist flashing to ensure optimal installation and reduce potential noise caused by the boards moving against the joist. Products such as Grace Vycor Deck Protector, Tite Seal or other comparable self-adhesive flashing products enable a smooth and consistent contact surface between joists and Ecodek Peaks and Parks ranges offer long-term warranty coverage, as noted above. To extend the life of the joists beneath the decking, we recommend using joist tape. Properly applied, joist tape has proven effective in protecting joists against premature decay.



**WARNING:** This decking is for deck surfaces and deck-related surfaces, such as stair treads or ramps, only. Material is not approved for structural applications.



**CAUTION:** When using a ladder on composite decking, it is mandatory to lay down a sheet of plywood over the deck surface to disperse the load of the ladder's feet to nearby underlying joists. Drill fasteners downward through the top of the plywood sheet to keep it from slipping. Position fasteners so they adequately protrude and rest firmly in the gaps between the deck boards and into the joists. This will avoid leaving holes in your decking once the plywood sheet is removed. Always follow the ladder manufacturer's instructions and safety tips.



**CAUTION:** Unusual sources of heat and heat buildup can potentially damage decking surfaces. Examples include fire pits, reflected light from nearby windows and doors, and under-deck waterproofing installations that do not provide adequate ventilation. Exercise caution if walking barefoot on the deck while it is in full sun.



**CAUTION:** Fasteners have sharp edges. Use proper care when handling.

### Pre-Installation



**IMPORTANT:** Follow local applicable building regulations. Careful planning of the finished deck layout will result in more pleasing finished projects. Failure to follow installation guidelines could void the warranty.



**IMPORTANT:** Thoroughly read all instructions for both decking and railing systems planned for the project prior to installations. Failure to do so may result in more difficult installations and may void the warranty.

## Before You Begin

### ACCLIMATISATION AND STORAGE

Before installation, material should be stored on a flat surface, supported every 600mm, and in the shade or covered if original packaging is removed.

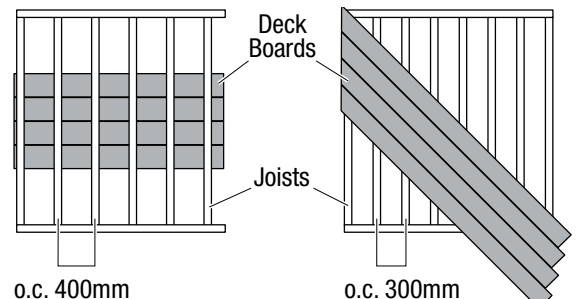
### AIR FLOW AND DRAINAGE

Make sure there is adequate and unobstructed air flow under 50 percent of the deck perimeter to allow for cross-ventilation. This is not only to promote dryness, but also to negate heat buildup beneath the deck. Allow a minimum of 40mm between the bottom of the joists and the ground or existing surface. Water must be able to flow away from under the deck. Improve drainage or grade flat areas where standing water may gather. Do not install decking directly to an existing or solid surface. Sleeper installation: Minimum joist height is 38mm, installed level, in the direction of water runoff and directly to a solid sub-structure. Create adequate cross-ventilation for the deck by widening side-to-side spacing between boards to 6mm with a maximum of 9mm gap. The deck design must allow for a minimum of 38mm of unrestricted air flow under the deck at the open joist ends for cross-ventilation and drainage.

Under-deck waterproofing systems, properly installed, can provide additional living or storage space. Improper installations are those that restrict air flow and result in buildup of heat and / or humidity, which can result in unwarranted consequences. Any system used must follow manufacturer's guidelines in addition to the previous airflow and drainage requirements.

## Determining Joist Location

Joist location is important for the safety of the deck and will affect the layout, cost and ease of installation for the balustrade system. If using balustrade, determine rail post placement prior to joist construction.



**NOTE:** For decks using metal joists, specialised face fasteners are required. Ecodek EDGE and EDGEX fixings are available with metal joist clip options.

### JOIST / STRINGER SPACING

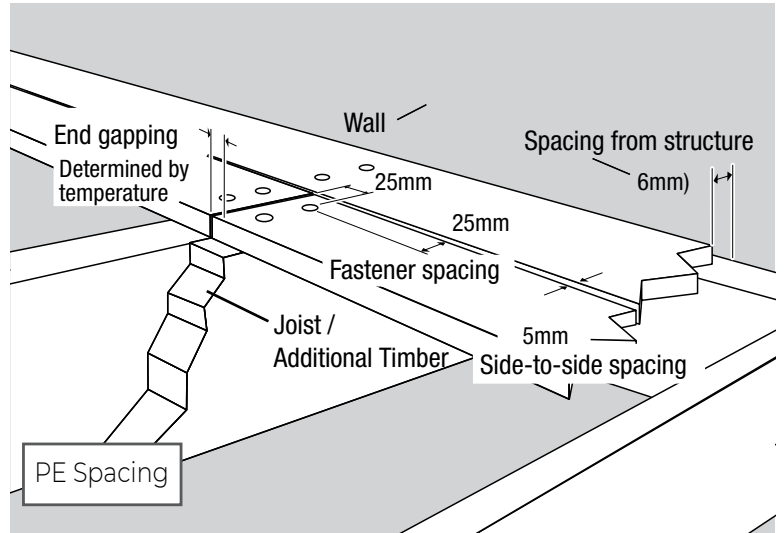
	Residential			Commercial		
	Perpendicular	Diagonal (up to 45-degree angle)	Stairs	Perpendicular	Diagonal (up to 45-degree angle)	Stairs
Peaks	400mm	300mm	300mm	300mm	200mm	230mm
Parks						

### Pre-Installation (continued)

#### Expansion and Spacing Considerations

All decking materials, whether wood, composite or metal, undergo some degree of linear expansion with the change of weather and the seasons. For best spacing results, keep boards out of direct sun during storage and cutting processes and throughout installation, if possible. To compensate for the effects of contraction and expansion, use short boards (where possible) with splitter / divider boards between each continuous run of boards.

Adequate board spacing of a minimum 5mm between board sides will provide proper drainage and assist with the removal of small organic debris. Allow a minimum of 6mm spacing between boards and any permanent structure. Spacing requirements must be met for full Ecodek Peaks and Parks warranty coverage. End-to-side spacing recommendations are determined by the temperature at 3mm. for temperatures below 21°C, or 1.5mm. for temperatures above 21°C.



**NOTE:** Special consideration should be taken when working with dark colors, as they will experience larger temperature swings during normal use. To help control end-to-end spacing, darker colored decking should be kept at ambient temperature and shaded from direct sun prior to cutting and immediate securing. To create less visible gapping, use lighter colored boards in the field of the deck with darker colored boards as design borders.

#### END-TO-END-SPACING BY INSTALLATION TEMPERATURE (CENTIGRADE)

	2 degrees and below	2 - 20 degrees	21 - 31 degrees	32 - 42 degrees	43 degrees and above
<b>Peaks</b>	<b>6.5mm</b>	<b>5mm</b>	<b>3mm</b>	<b>1.5mm</b>	<b>1mm</b>
<b>Parks</b>					

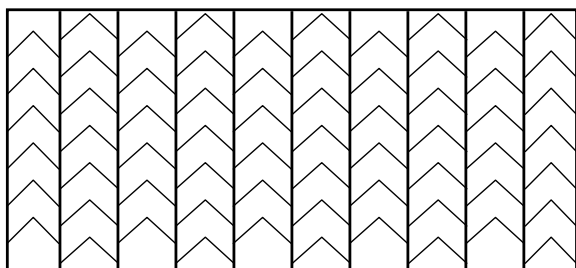
**NOTE:** In areas where extreme temperature swings are prevalent, adding additional timber at butt joints is recommended. When using hidden fasteners, add two surface fasteners into the deck at the joist location closest to the mid-point of each deck board to "pin" the board in place and make thermal expansion and contraction go equally in both directions.

### Pre-Installation (continued)

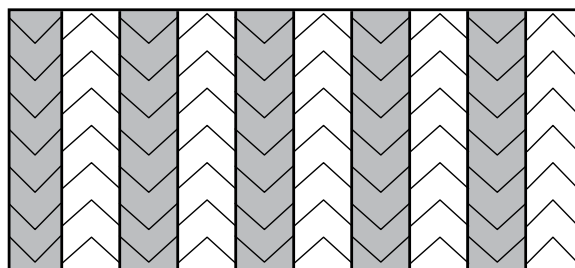
#### Creating Various Decking Patterns

Achieve different looks by laying the decking in the same or alternating directions. The embossed grain pattern repeats approximately every 1118mm along the board length. During the planning phase of any deck project, arrange decking before installation to achieve the desired pattern and color effect. This is also important if different lengths / bundles of material are used, as different embossed grain patterns and color tones may need to be mixed to achieve the desired look.

#### Embossed Grain Pattern Orientation During Installation



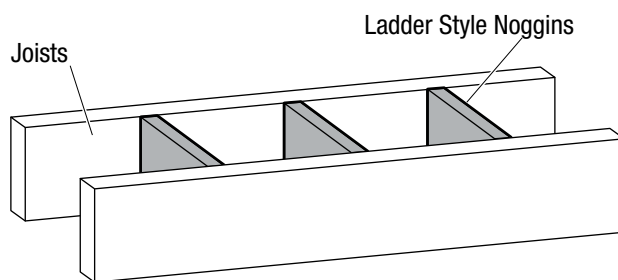
Same direction



Alternating direction

#### Noggin Installation

When installing additional noggins, remember that noggins laid flat will inhibit water flow and result in buildup of organic materials over time, which will make cleaning more difficult and can cause eventual damage to the material. When noggins are required, install ladder style for best results.



#### Heavy Loads

When installing heavy loads such as a hot tub on your decking project, ensure that you understand and follow all of the manufacturer's requirements related to framing and support. These may affect decking warranty coverage.

#### Tools Required



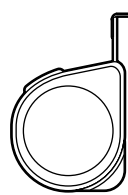
Power drill



3mm drill bit



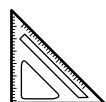
Safety goggles



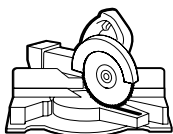
Tape measure



Torpedo level



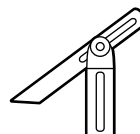
Speed square



Miter saw



Pencil



Adjustable square



Minimum 1200mm level

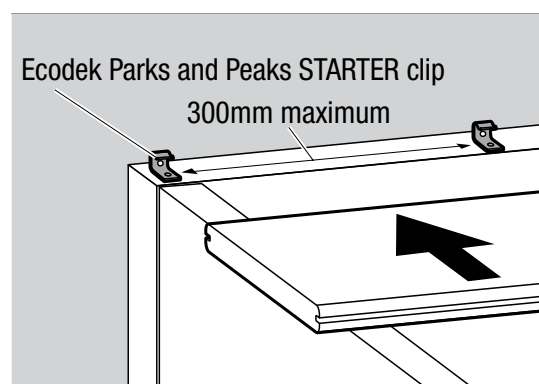
### Ecodek STARTER Hidden Fastener Installation



**NOTE:** In areas where extreme temperature swings are prevalent, adding additional timber at butt joints is recommended. When using hidden fasteners, add two surface fasteners into the deck at the joist location closest to the mid-point of each deck board to “pin” the board in place and make thermal expansion and contraction go equally in both directions.

## 1 Installing the first end boards.

- Ecodek recommends starting on the outside of the deck and working toward the house / wall. This way, if any board needs cutting down to fit, the cut side will be against the house / wall. If starting at the house / wall, secure STARTER clips a minimum of 6mm from the wall with a single screw into the joist.
- Space clips no greater than 300mm apart.
- Position the deck board into the end clip fasteners. It may be helpful to angle the board slightly to fully seat it into the clips.
- Ensure that the board is fully inserted into the clips and gently push the board down to lock it in place



**NOTE:** Follow instructions for Ecodek EDGE (pg. 7 - 9) or Phantom universal fasteners (pg. 10 - 11) to install the mid-deck area before the end boards.

## 2 Installing the final end boards.

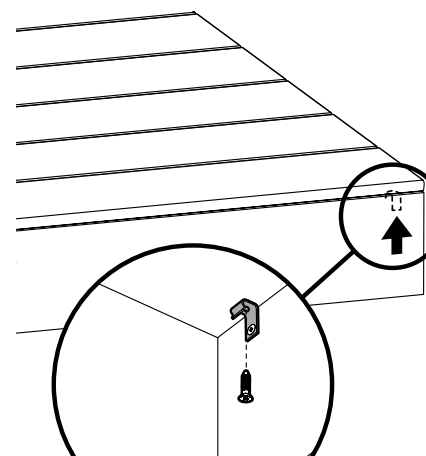


**NOTE:** Prior to positioning the last deck board, place the end clips on the inside of the rim joist, securing them with a single screw inserted perpendicular through each clip into the joist. Only applicable for installation of flat bottom board. Start / stop / end clip fasteners are not approved to secure boards with a scalloped bottom.



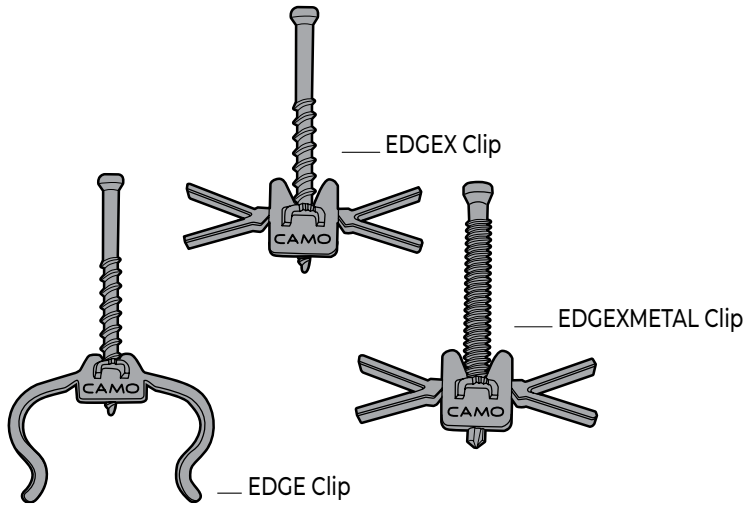
**NOTE:** Use a square-edge board to create a smooth, finished look along the perimeter of the deck.

- After positioning the last deck board in place, secure the deck board by driving the fastener through the clip and into the board at a 90-degree angle. Ensure the screw inserts fully and pulls the board down. Space no more than 300mm apart. The last board can also be face fastened into place with composite screws installed flush with the deck surface or with hidden face fasteners.



**NOTE:** When thickness of rim joist exceeds 38mm, end clips should be secured to the outer edge of the joist.

### Ecodek Parks and Peaks EDGE® and EDGEX® Hidden Fastener Installation



**NOTE:** Use EDGEX clips for installing deck boards at a 45-degree angle. Edge clips can be used but would require removing the legs of the clips.



**NOTE:** Impact drivers should not be used when installing EDGE or EDGEX hidden fasteners.



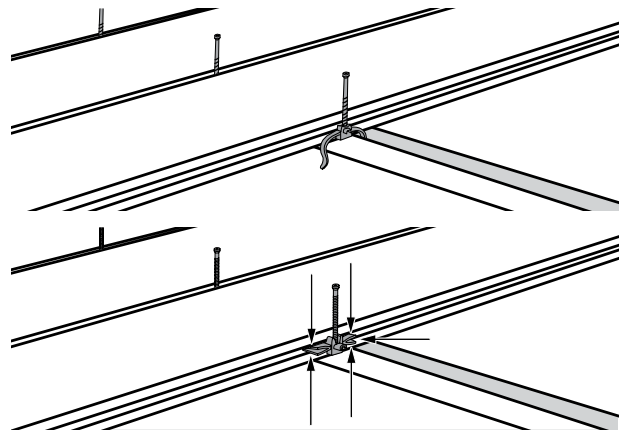
**NOTE:** EDGEXMETAL® is available with a different screw for drilling into 14-18 gage metal joist framing. Installation process is the same as the EDGEX.



**NOTE:** Grooved boards are not intended to be used as perimeter boards unless you are also installing fascia boards appropriately to cover the exposed grooves, or when the groove is against a wall or other hard structure.

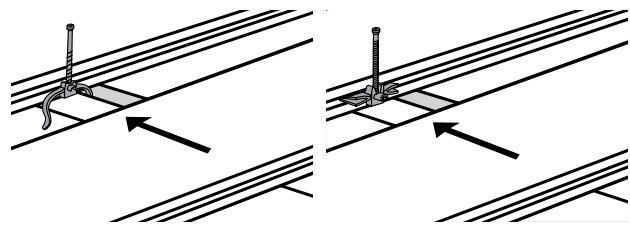
## 1 Preparing the grooved board edges.

- After installing the first end boards (pg. 6), position EDGE or EDGEX hidden fasteners along the deck board, centering on joists.
- For EDGE clips, Place clip on the joist with the gusset in the groove.
- For EDGEX clips, Pinch the wings of clip together and slide the clip into the groove.
- Both types of clips are designed to stay in place until you're ready to fasten.



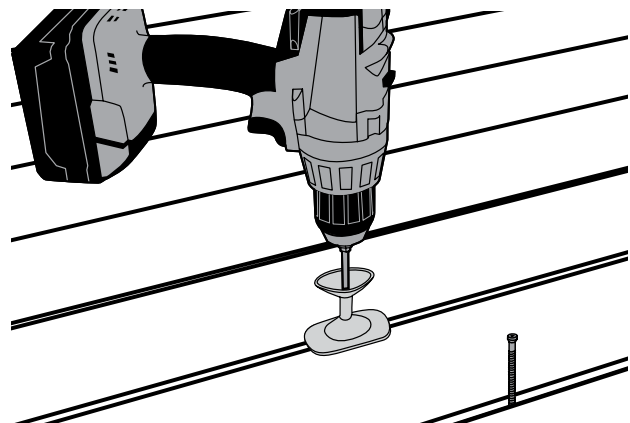
## 2 Installing the remaining boards / rows.

- Place the next board up against the clips.



## 3 Securing the boards.

- Ensure correct end-to-end gapping and hold the boards tightly while securing or lock them in place with CAMO® LEVER® (sold separately).
- Screw down all of the clips between the boards. Use NEVER-MISS™ Guide for fast manual installation, or DRIVE™ tool (optional) to fasten while standing up.
- Repeat installing fasteners and positioning boards to cover the deck surface. See "Installing the final end boards" (pg. 6) for completing the deck.

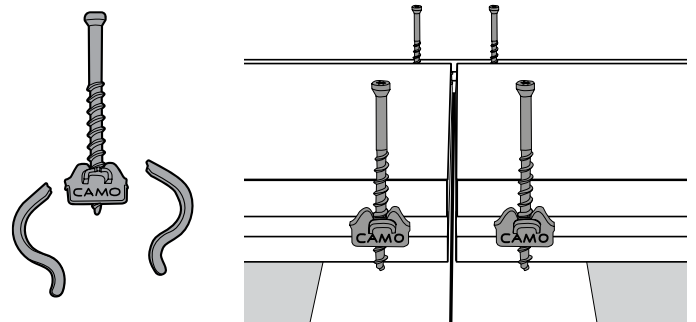


### Ecodek Parks and Peaks EDGE® and EDGEX® Butt-joint Installation

#### EDGE Fastener Butt-Joint installation

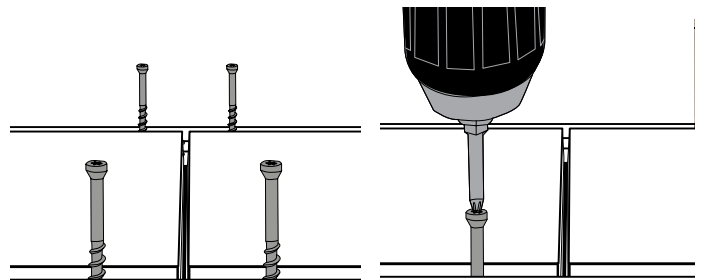
##### 1 Remove legs on EDGE Clip.

- Where two boards butt together, allow for adequate end-to-end board spacing and center the end gap over the joist.
- You will need four clips for each butt joint (two on each side). Remove the legs of the EDGE Clip so that they can sit side-by-side on the joist / additional timber.



##### 2 Securing the fasteners.

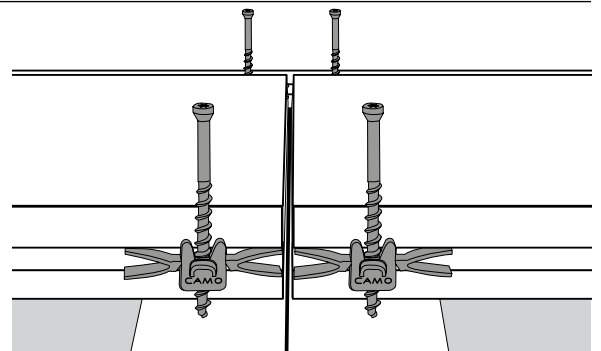
- With boards positioned correctly, place the clips in the groove, centered on joists on both sides of the boards. Partially fasten the screws to hold them in place until next board is set, then fully fasten the screws.



#### EDGEX Fastener Butt-Joint installation

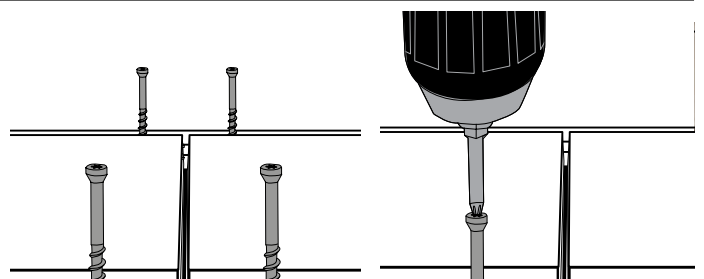
##### 1 Place four EDGEX Clips.

- Where two boards butt together, allow for adequate end-to-end board spacing, center the end gap over the joist and use four EDGEX Clips (two on each side of the board ends) to secure them.



##### 2 Fasten screws.

- With boards positioned correctly, place the clips in the groove, centered on joists on both sides of the boards. Partially fasten the screws to hold them in place until next board is set, then fully fasten the screws.





## Ecodek Parks and Peaks EDGE® and EDGEX® Process for Replacing Damaged Deck Boards

### 1 Back out screws from joist.

- Back all of the EDGE or EDGEX screws out of the joist on both sides of the full length of the board.

### 2 Replace board.

- Pull up on the board to remove it.
- Clean away any remaining fasteners on the joists and lay the new deck board in position without any fasteners in place.

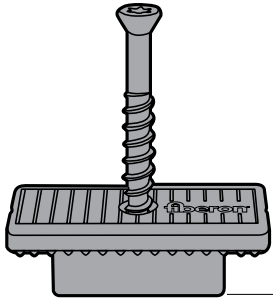
### 3 Remove fastener legs or wings.

- Count the number of fasteners needed and snap off the EDGE legs or EDGEX wings on each fastener.

### 4 Securing the board.

- Slide the fasteners (screws and gussets) down the groove positioning one over each joist on both sides of the board.
- Ensure there is correct end-to-end gap spacing.
- Fasten clips securely in place using the NEVER-MISS™ Guide

### Ecodek Parks and Peaks Phantom® Universal Hidden Fastener Installation for Grooved-Edge Boards Only



Phantom universal fastener with pre-inserted screw



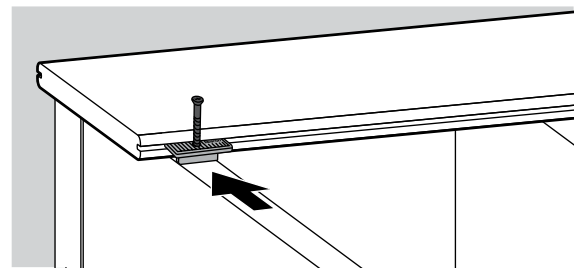
**NOTE:** The Fiberon Phantom universal fastener provides a 5mm. side-to-side gap between each deck board.



**NOTE:** Grooved boards are not intended to be used as perimeter boards unless you are also installing fascia boards appropriately to cover the exposed grooves, or when the groove is against a wall or other hard structure.

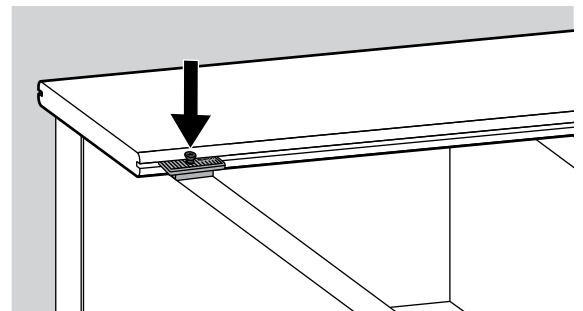
## 1 Preparing the grooved board edges.

- After installing the first end boards (pg. 6), insert the Phantom universal clip into the grooved edge of the deck board in alignment with the center of each joist. The screws are pre-inserted for your convenience.



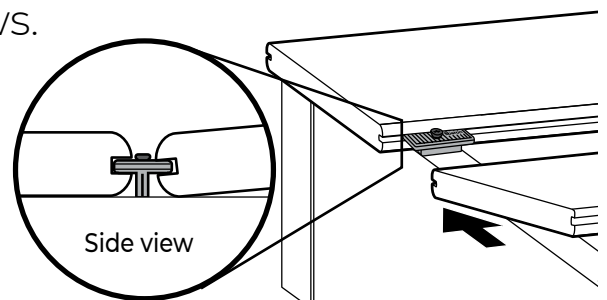
## 2 Securing the fasteners.

- Using the included T-15 Star drive bit, drive the screw vertically down, not angled, until it is flush in the countersunk hole. With some deck boards it may be necessary to leave the screw loose until the next course of decking is laid; then, tighten the screw completely. Be careful not to overtighten the screw to prevent breakage or bowing of the clip. A screw gun with a clutch setting is very effective for this application.



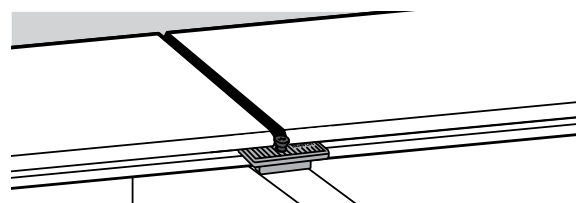
## 3 Installing the remaining boards / rows.

- Slide the second deck board into place and push or tap forward to ensure the board is flush against the Phantom universal deck clip. If left loose, finish driving the screw vertically down, not angled, until it is flush in the countersunk hole. Install the remaining Phantom clips where each joist intersects with the deck board.
- Repeat installing fasteners and positioning boards to cover the deck surface. See "Installing the final end boards" (pg. 6) for completing the deck.



## 4 Installing butt joints.

- Where two boards butt together, allow for adequate end-to-end board spacing and use a single Phantom universal hidden fastener to secure board ends.



### Universal Hidden Fastener Process for Replacing Damaged Deck Boards

#### 1 Loosen clips from joist.

- Loosen the clips holding the damaged board until the board can slide freely.

#### 2 Remove the damaged board.

- Slide out the damaged board from the deck floor.



**NOTE:** If the deck surface has a picture frame and you are unable to slide out the damaged board, it may be necessary to remove the framing deck boards to access the damaged board.

#### 3 Insert new deck board.

- Clean away any remaining debris on the joists, align the fasteners with the grooves and slide the replacement board into the deck floor.

#### 4 Secure the new board.

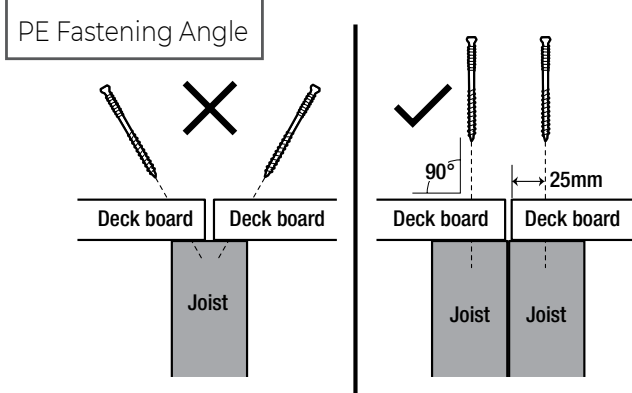
- Ensure there is correct end-to-end gap spacing.
- Retighten the fastener screws securely into the joist.

## Face-Fastener Installation

### Fastener Installation

Always drive face fasteners in at a 90-degree angle to the decking surface with two fasteners at every joist location. Do not angle screws into the joist. Instead, place additional joists to allow perpendicular installation of face fasteners at board ends. Spacing parallel joists apart at butt joints also aids in drainage around board ends.

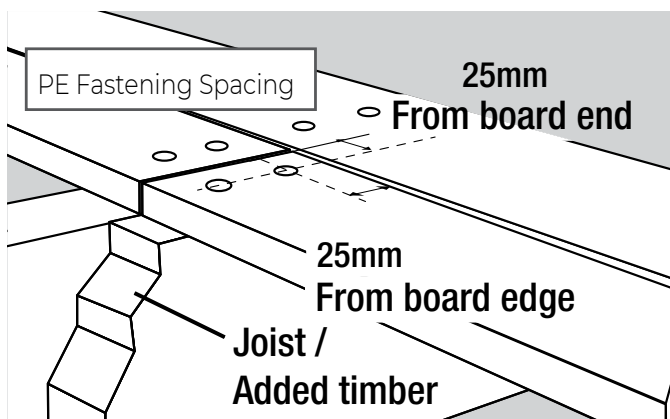
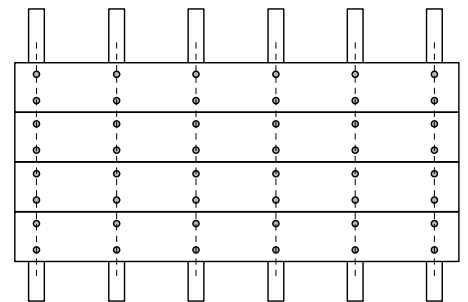
### Deck Fastening Requirements



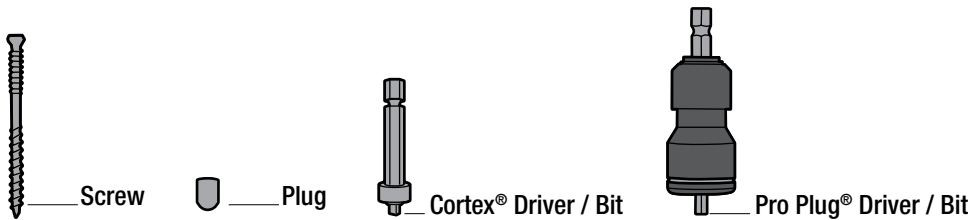
Ecodek Peaks and Parks decking may be face fastened. Use only screws designed for composite decking. Ecodek recommends using Cap-Tor® xd from Starborn® Industries for matching screw color to decking color. Avoid using plain, galvanized face fasteners. Do not use traditional bugle-head screws. For best results, use minimum #8 x 2-½ in. stainless steel or coated composite deck screws. Hidden face-fastening systems, such as Starborn ProPlug, can also be used as the screws are engineered specifically to work with composite decking and prevent mushrooming, resulting in more pleasing finished projects.

### For Best Results

1. Screw heads must be flush with board surface or countersunk if using hidden face fasteners with color-matched plugs (pg. 13).
2. Pre-drilling is required for end-of-board screw holes in cold climates to prevent immediate or eventual end splitting. It is recommended for surface screw fasteners. Pre-drilling all holes will result in more pleasing finished projects.
3. Use caution to avoid overtightening fasteners, or it may induce cracking at board ends and could lead to eventual cracking around other fasteners.
4. Straight rows of fasteners look cleaner and less noticeable than uneven rows. White chalk, straight boards or string lines can be used as guides for installing fasteners. Never use colored chalk.



### Hidden Face-Fastener Installation



### Fastening Requirements

The hidden face-fastening systems are the fastest, easiest way to hide deck screw heads on stairs, perimeter boards and square-edge deck surface boards. They are also the ideal fastener to use when replacing a deck board. The plugs are available in a variety of colors to match Ecodek Parks and Peaks deck boards.

Cortex and Pro Plug hidden face-fastening systems are available. Contact Ecodek customer service for more information.

**IMPORTANT:** For a full written warranty, additional information or technical assistance, please visit [ecodek.co.uk](http://ecodek.co.uk).

Hidden face-fastening systems are designed for traditional elevated deck surfaces. The following applications require a different fastening method or further instructions and will nullify the fastener warranties:

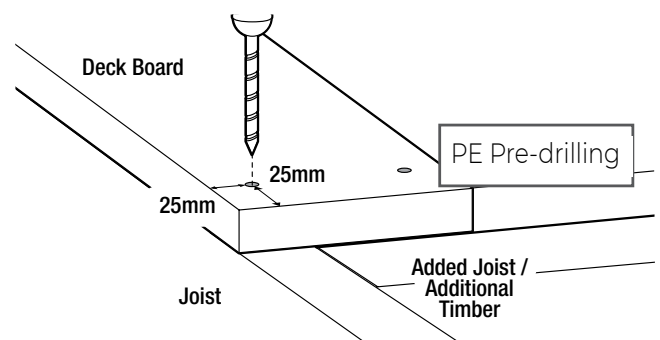
- Sleeper systems: Framing rests directly on the ground or roof deck.
- Docks or decks with framing members in constant contact with water.
- Restricted airspace where there is less than 38mm of clearance on two sides of the deck.
- "Tear-offs" that utilize old framing as support for new decking.
- Deck materials other than 24mm standard thickness with flat-profile bottom.

### Installation

#### 1 Pre-drilling fastener holes.

**NOTE:** Pre-drilling is required at board ends and where temperatures are below 5°C.

**NOTE:** The minimum 25mm fastener setback for PE Decking end-to-end requires double joists or additional timber to allow the fastener to be driven perpendicular to the surface.



For Ecodek Parks and Peaks Decking, locate all fastener holes at least 25mm from board ends and 25mm from sides. To prevent cracking at fastener locations, pre-drill all holes with a 3 or 4mm drill bit. Keep the drill perpendicular to the deck surface in order to create the proper pilot hole and remove excess material.

**NOTE:** For best pre-drilling results, use a corded or battery power, variable speed or high-torque drill. Starting screws slowly will help initial engagement. Always keep continuous pressure downward while driving screws.

### Hidden Face-Fastener Installation (continued)

## 2 Installing the fasteners.

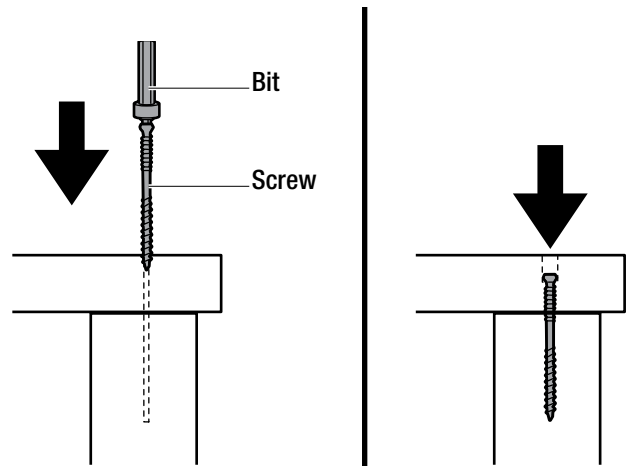
- Using the setting tool (bit), drive the fastener (screw) to the preset level below the deck surface, ensuring the fastener remains perpendicular to the deck surface. Install two fasteners at every joist and / or stair stringer.



**NOTE:** Replace a worn driver bit with a fresh bit periodically. We recommend replacement every 125 screws.



**NOTE:** If damage occurs to the screw while it is being driven in, do not continue. Follow the instructions in the "Removing Damaged Plugs or Screws" section of this manual (below).

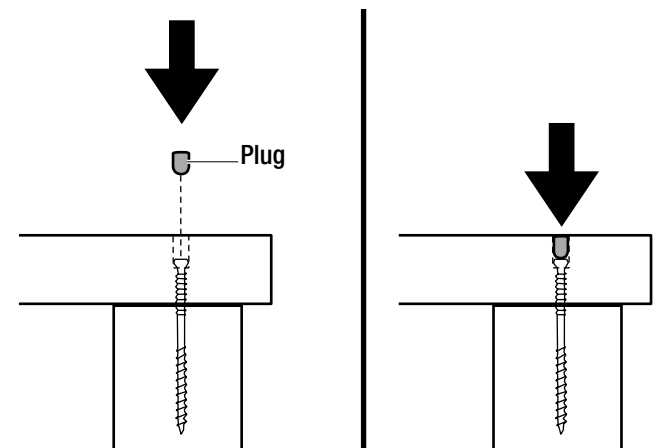


## 3 Inserting the plugs.

- Ensure the cored hole is free of debris or moisture. Place the plug into the cored hole and gently tap with a smooth hammer head until it is flush with the deck surface.



**NOTE:** Each box of fasteners comes with additional plugs. It is recommended you keep these plugs in case any boards need to be removed and replaced in the future, as the plugs are destroyed when they are removed and are not available separately.



### Removing Damaged Plugs or Screws

- To prevent damage to the decking surface, mask off around the screw or plug being removed. Immediately clean off any debris left behind after the work is completed.
- Existing plugs can be removed by tapping into the plug center with a trim screw (#7 or smaller) until it reaches the screw head below the plug. Remove the plug. Using a standard #1 driver bit (not the setting tool), engage the driver bit into the screw recess prior to backing out. On slow speed, reverse the screw out of the deck. When removing a fastener, an impact drill offers best results.
- If the head of a damaged screw is above the deck surface, remove the driver bit from your drill and open the chuck wide enough to capture the head of the screw. Tighten the chuck firmly around the head and set the drill in reverse. Then, on low speed, slowly draw the fastener out of the deck.



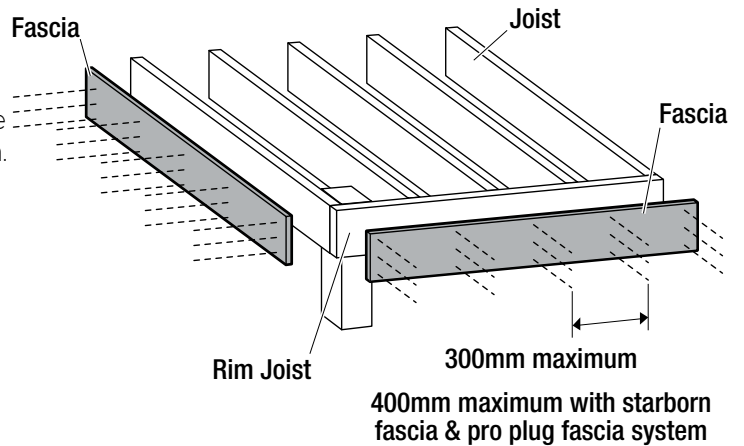
**NOTE:** If you prefer to use Mole-Grips, grasp the screw head but be sure to protect the deck surface from tool marks by providing enough clearance between the tool and the deck surface.

- If the head of the damaged screw is at or slightly below the deck surface, use these options in this order: (1) use an impact driver with a new standard #1 square drive; set the tool on reverse, centering weight over the drill, and slowly remove the screw; (2) use a #2 square drive bit and drive the bit into the head of the screw with a few firm hits of a hammer; using a sleeve or extension pre-installed on the drill, carefully slide the open end onto the #2 bit; then, on low speed, reverse out the screw.

### Fascia Installation

#### Ecodek Peaks and Parks Fascia Installation Fascia Installation

Fascia is fastened with screws at a maximum of 300mm intervals, with three screws across the face. The maximum spacing can be increased to 400mm on-center when using the Starborn® Fascia System and Starborn Pro Plug® System Fascia. Always drive face fasteners in at a 90 degree angle to the board surface no closer than 25mm from ends and sides of board. Pre-drill ends of board screw holes to prevent immediate or eventual end splitting. Install with 3mm spacing between ends in temperatures above 10 degrees Celsius and 5mm spacing in temperatures below 10 degrees Celsius. Fascia is intended as a non-structural covering for rim joists, stair risers and stringers and is not suited for decking surfaces or structural applications. Do not overtighten screws as buckling and cracking may result.





**[ecodek.co.uk](http://ecodek.co.uk)**

**[enquiries@ecodek.co.uk](mailto:enquiries@ecodek.co.uk)**

Retain this manual for future use.

Visit [ecodek.co.uk](http://ecodek.co.uk) for the most up-to-date installation requirements.