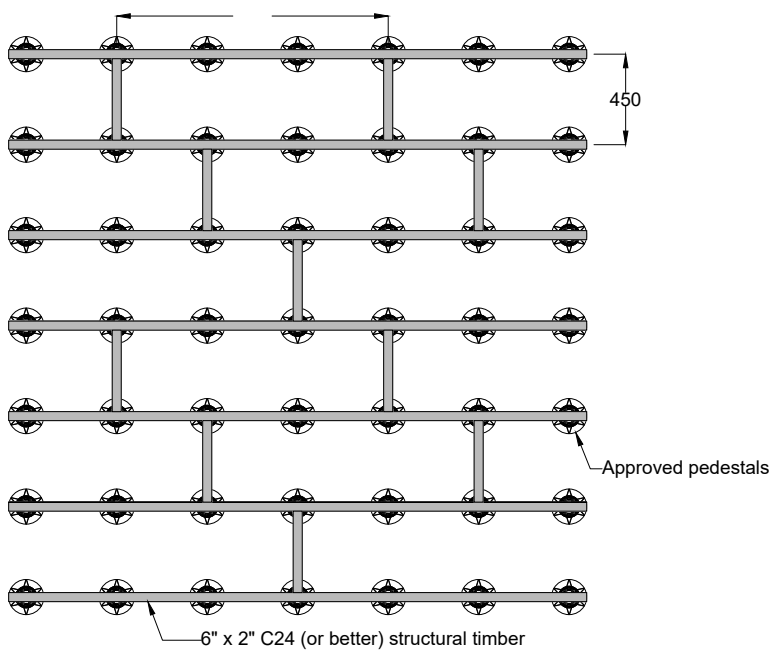


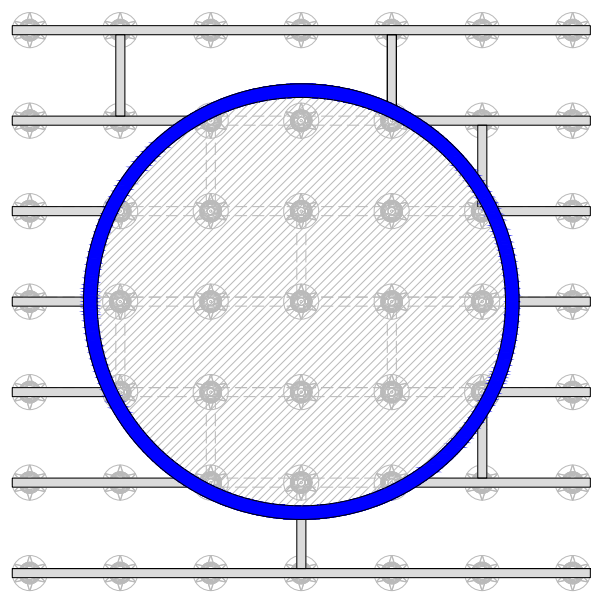
Area directly under the hot tub must be supported sufficiently to ensure the large weight of water is fully supported and does not damage the decking over time.

Decking install considerations when planning a hot tub install (Please refer to the diagram below):

Section of 6" x 2" timber sub structure shown below



Hot tub (in blue) shown on top of substructure
(Decking not shown for clarity)



- Base must be concrete with reinforcement (re-bar) as specified by concrete supplier. Minimum thickness of concrete is 5" for standard concrete or 4" for fibre filled.
- 6"x2" treated timber supports C24 grade minimum must be used – supported at 500mm centres with approved pedestals.
- If installing direct over concrete base (i.e. a height restriction that prevents the use of pedestals) then you must use composite sub structure system (see below for details).
- Stringers/noggins placed every 1.5m.
- DO NOT install decking onto soil or hardcore based ground. Neither are patio slabs recommended as a support system.
- The support beams should be spaced at 450mm maximum rest of install as per standard Ecodek technical guides.
- If installing with composite sub structure:
 - Lay the 40x48 composite bearer directly on to the flat concrete base with 40mm as the vertical plane.
 - Pre-drill the bearers and fasten to concrete with TAPCON or similar every 1 metre and 100mm from ends – (at least 3 screws per length if using lengths under 2m).
 - No stringers required.
 - Bearers must be laid in line with any fall so that water drains away.
 - Due to reduced airflow under decking, deck board spacing must be 7mm minimum.
 - Use 53mm composite deck screws, pre-drill to 100% of screw depth with a 3.5mm or 4mm drill bit (see Ecodek technical data for screwing composite to composite).